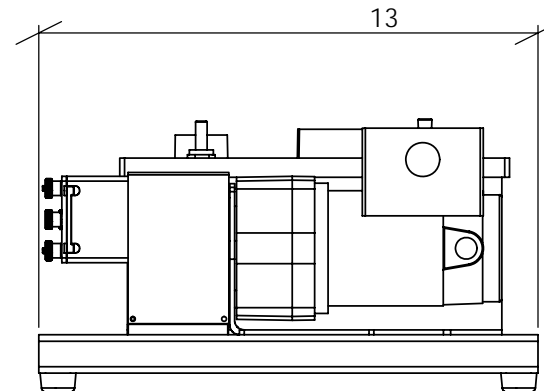
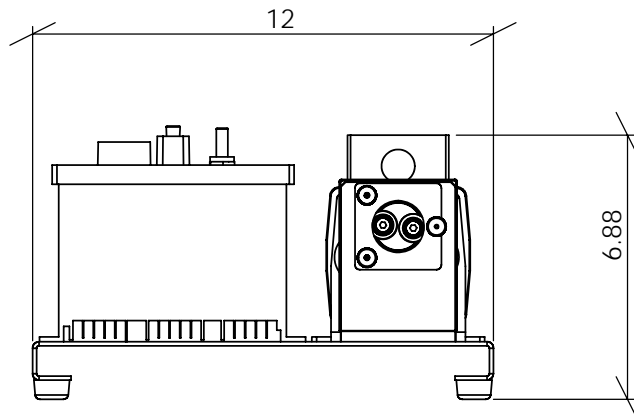
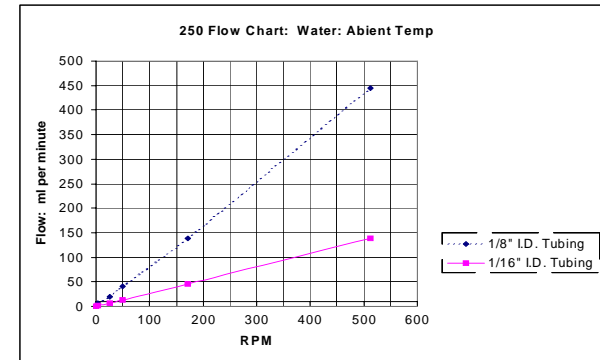


04-0070: Qty 1 DC Motor Control



Model	Motor #	Speed Range
250-322	03-0022	60 Rpm @ 90 Vdc
250-332	03-0023	150 Rpm @ 90Vdc
250-342	03-0024	300 Rpm @ 90 VDC



**PROPRIETARY AND CONFIDENTIAL**  
 THE INFORMATION CONTAINED IN THIS DRAWING IS THE SOLE PROPERTY OF Randolph Austin Company. ANY REPRODUCTION IN PART OR AS A WHOLE WITHOUT THE WRITTEN PERMISSION OF Randolph Austin Company IS PROHIBITED.

		DIMENSIONS ARE IN INCHES TOLERANCES: FRACTIONAL ± 1/64 ANGULAR: MACH ± 1° TWO PLACE DECIMAL ± .010 THREE PLACE DECIMAL ± .005		NAME	DATE	Randolph Austin Company	
		MATERIAL --		DRAWN		Variflow - 250 Series pumps	
		FINISH --		CHECKED			
NEXT ASSY	USED ON			ENG APPR.			
				MFG APPR.			
APPLICATION		DO NOT SCALE DRAWING		Q.A.		SCALE:1:5	
				COMMENTS:		SIZE <b>A</b>	DWG. NO. 250-3X2
						WEIGHT:	REV.
						SHEET 1 OF 1	