

THE INFORMATION CONTAINED IN THIS DRAWING IS THE SOLE PROPERTY OF Randolph Austin Company ANY REPRODUCTION IN PART OR WHOLE WITHOUT THE WRITTEN PERMISSION OF Randolph Austin Company IS PROHIBITED.

D

C

B

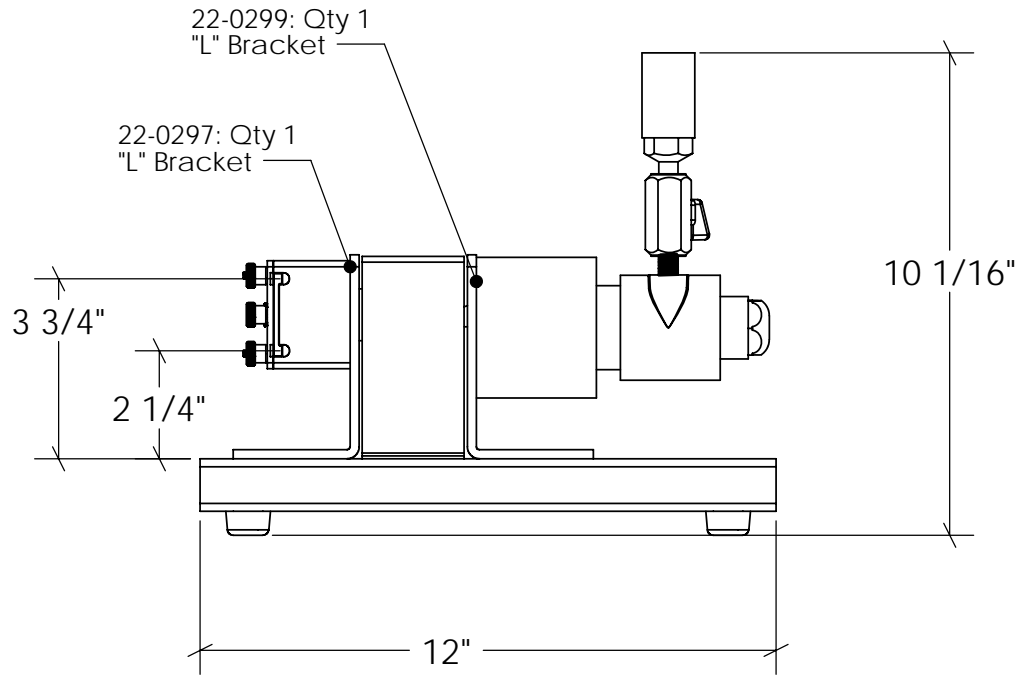
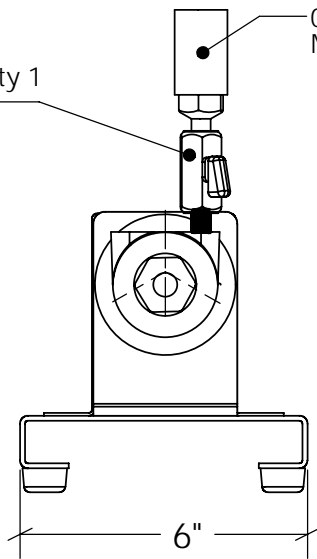
A

D

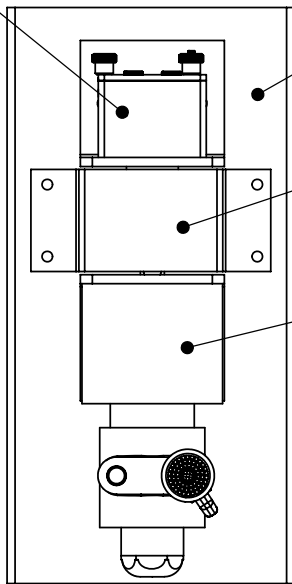
C

B

A



250-PHO: Qty 1 Pump Head Assy



B.O.M. - Items Not Shown

00-0370: Qty 1 - Spyder
 00-0321: Qty 1 - 1/2" Coupling
 00-0301: Qty 1 - 5/16" Coupling

Rev Description By Date

-	-	-	-
-	-	-	-

NEXT ASSY	USED ON
APPLICATION	

ITEM NO.	PART OR IDENTIFYING NO.	NOMENCLATURE OR DESCRIPTION	MATERIAL SPECIFICATION	QTY RECD
PARTS LIST				
UNLESS OTHERWISE SPECIFIED DIMENSIONS ARE IN INCHES		CAD GENERATED DRAWING, DO NOT MANUALLY UPDATE		Randolph Austin Company
TOLERANCES ARE:		APPROVALS	DATE	
FRACTIONS	DECIMALS	ANGLES		
+/- 1/64	.XX +/- .01	+ 1		
		.XXX +/- .005		250-425 250 Pump with air motor
MATERIAL		RESP ENG		
FINISH		MFG ENG		
		QUAL ENG		SIZE A
DO NOT SCALE DRAWING		DWG. NO. 250-425		REV.
		SCALE	CAD FILE:	SHEET OF