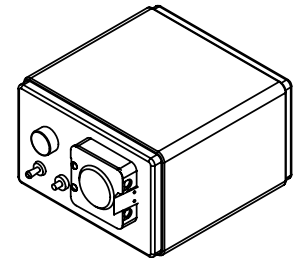
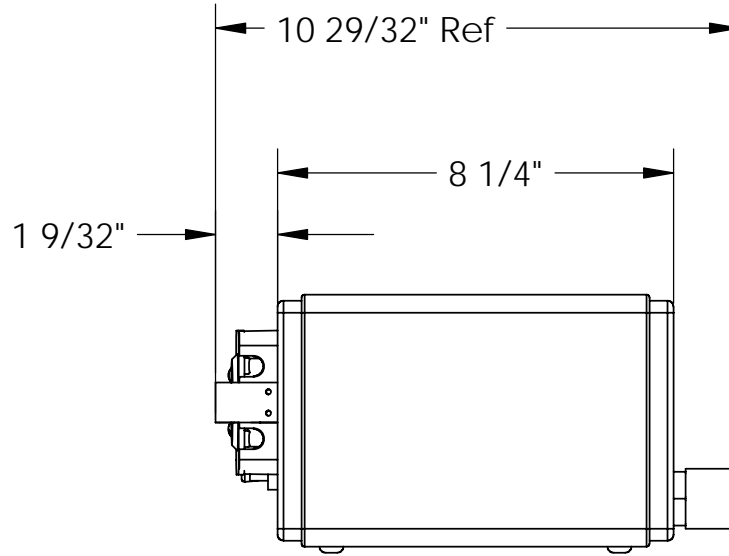
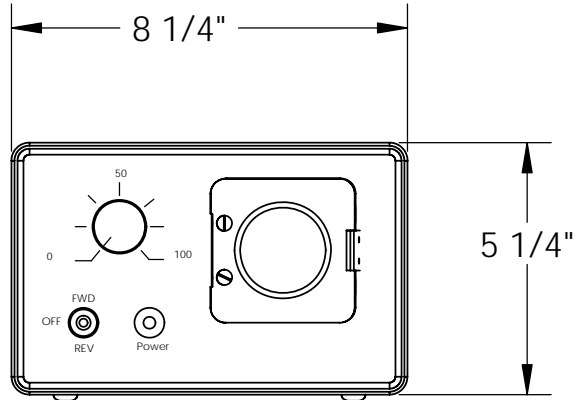


THE INFORMATION CONTAINED IN THIS DRAWING IS THE SOLE PROPERTY OF THE RANDOLPH AUSTIN CO.. ANY REPRODUCTION IN PART OR WHOLE WITHOUT THE WRITTEN PERMISSION OF THE RANDOLPH AUSTIN CO. IS PROHIBITED.



Model	Description	Green Dot Hospital Cord	Pneumatic Foot Switch
300-318	115 VAC - 1 Ph, 60 HZ		
300-318-2V	115/220 VAC - 1 Ph, 60/50HZ,		
300-319	115 VAC - 1 Ph, 60 HZ	√	√
300-320	115/220 VAC - 1 Ph, 50/60 HZ	√	√



UNLESS OTHERWISE SPECIFIED  
 DIMENSIONAL TOLERANCES ARE:  
 FRACTIONS DECIMALS ANGLES  
 MILLIMETERS:  
 N/A ±.1 ±.5°  
 INCHES:  
 ±1/64 ±.004 ±.5°

CAD GENERATED DRAWING, DO NOT MANUALLY UPDATE	
APPROVALS	DATE
DRAWN	
CHECKED	
RESP ENG	
MFG ENG	
QUAL ENG	

**Randolph Austin Company**  
 PO 988 2119 FM 1626 MANCHACA TX.

**Econ II - Variflow**

SIZE A	DWG. NO. 300-31X	REV.
SCALE	CAD FILE:	SHEET OF

NEXT ASSY	USED ON
APPLICATION	

DO NOT SCALE DRAWING

