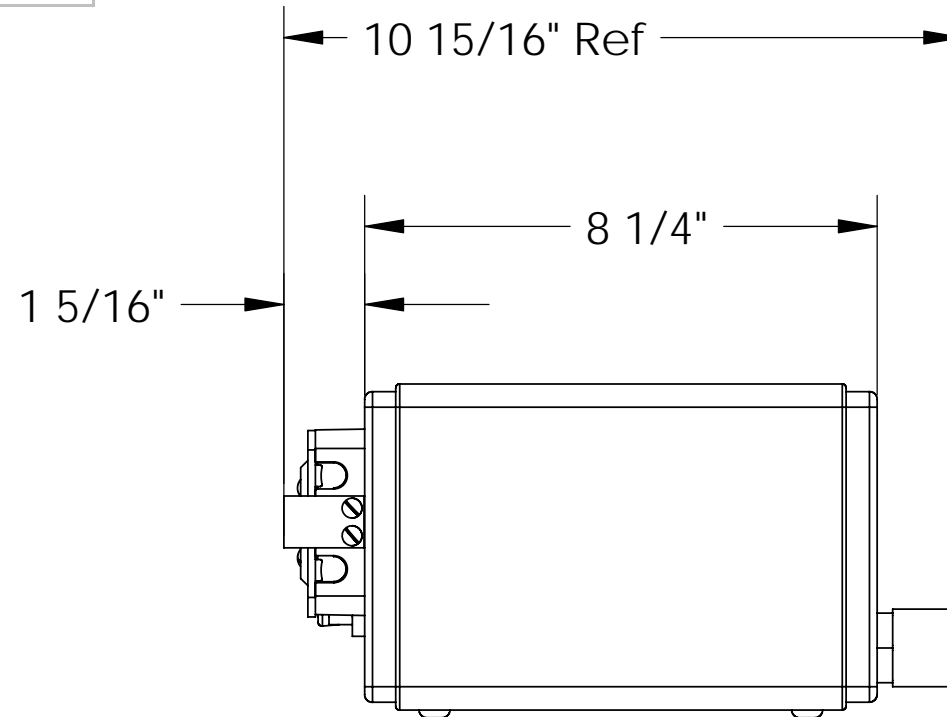
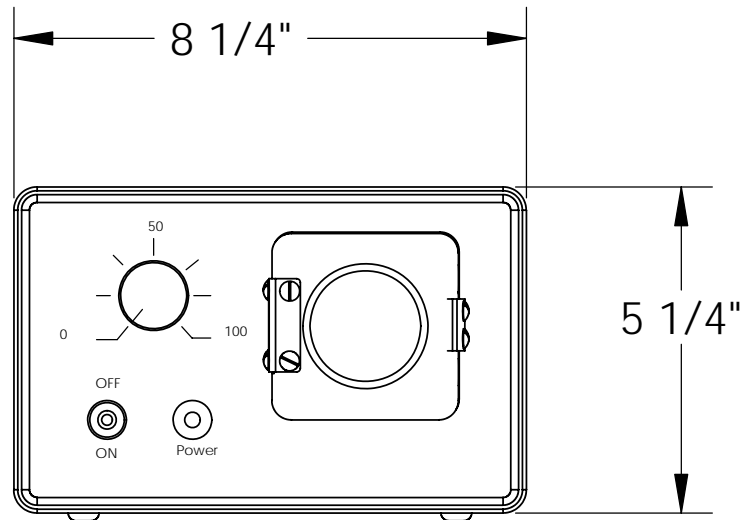
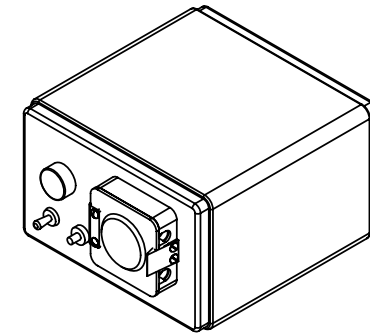


THE INFORMATION CONTAINED IN THIS DRAWING IS THE SOLE PROPERTY OF THE RANDOLPH AUSTIN CO.. ANY REPRODUCTION IN PART OR WHOLE WITHOUT THE WRITTEN PERMISSION OF THE RANDOLPH AUSTIN CO. IS PROHIBITED.

Model	Description	Green Dot Hospital Cord	Pneumatic Foot Switch
300-321	115 VAC - 1 Ph, 60 HZ	√	√
300-322	115/220 VAC - 1 Ph, 60/50HZ,	√	√



Note:

- 1) Top of pump to be Silk Screened per Byron Specifications

		UNLESS OTHERWISE SPECIFIED DIMENSIONAL TOLERANCES ARE: FRACTIONS DECIMALS ANGLES MILLIMETERS: N/A ±.1 ±.5° INCHES: ±1/64 ±.004 ±.5°		CAD GENERATED DRAWING, DO NOT MANUALLY UPDATE		Randolph Austin Company PO 988 2119 FM 1626 MANCHACA TX.	
		MATERIAL		APPROVALS	DATE		
		FINISH		DRAWN			
NEXT ASSY	USED ON			CHECKED			
APPLICATION		DO NOT SCALE DRAWING		RESP ENG			
				MFG ENG			
				QUAL ENG		SIZE A	DWG. NO. 300-32X
						SCALE	CAD FILE:
						SHEET	OF

D

C

B

A

D

C

B

A

8

7

6

5

4

3

2

1

8

7

6

5

4

3

2

1