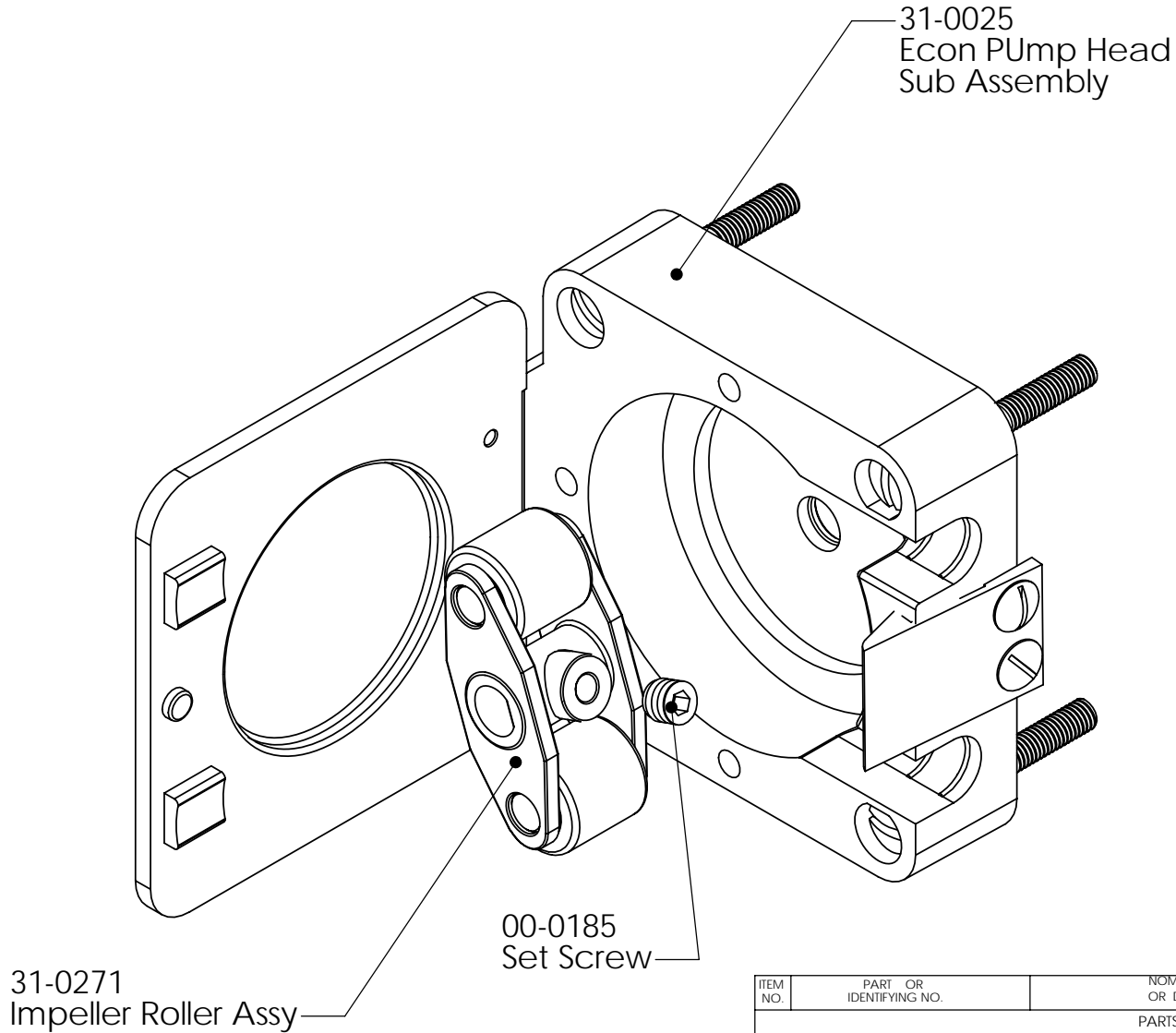


THE INFORMATION CONTAINED IN THIS DRAWING IS THE SOLE PROPERTY OF Randolph Austin Company ANY REPRODUCTION IN PART OR WHOLE WITHOUT THE WRITTEN PERMISSION OF Randolph Austin Company IS PROHIBITED.

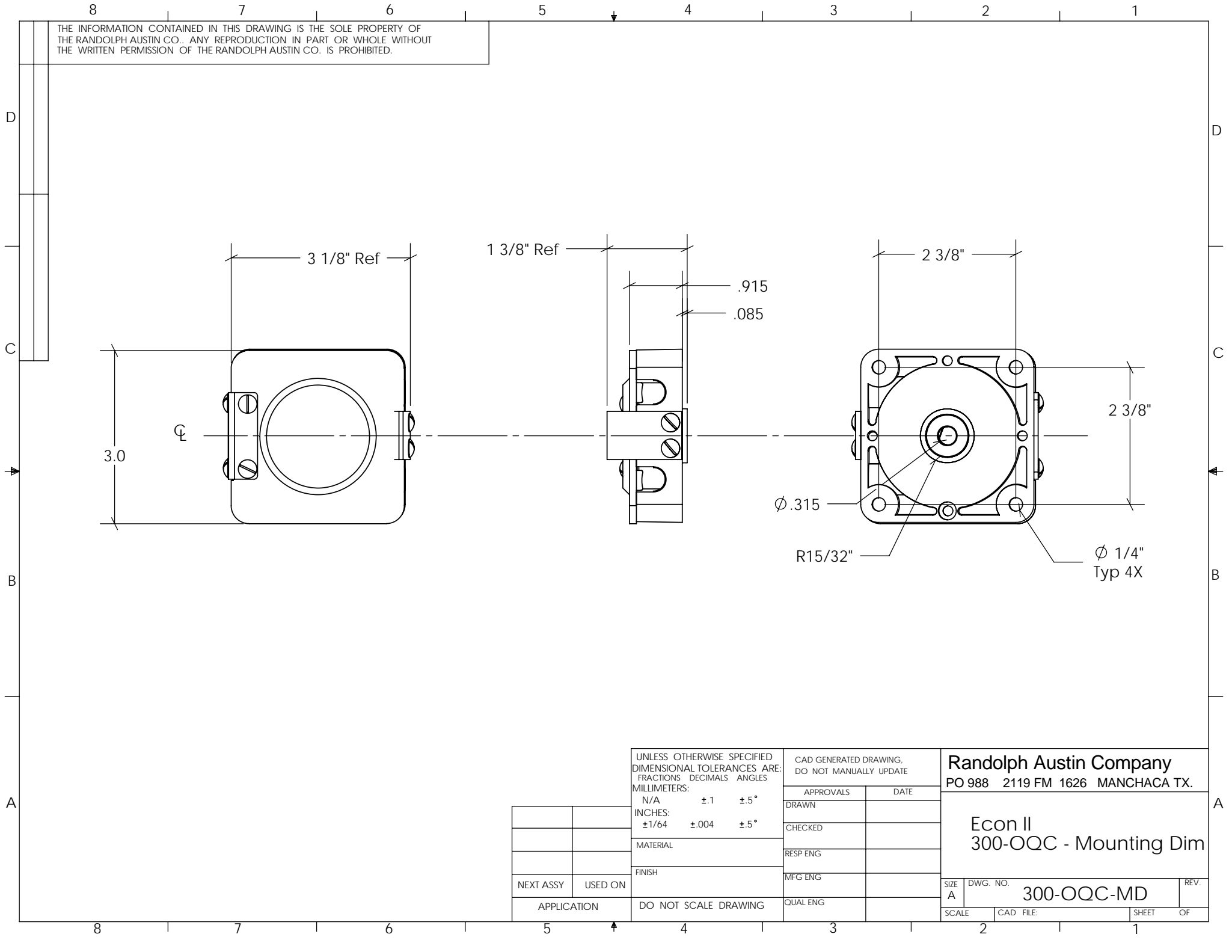


Rev	Description	By	Date	APPROVALS	DATE
-	-	-	-		
-	-	-	-		

NEXT ASSY	USED ON
APPLICATION	

ITEM NO.	PART OR IDENTIFYING NO.	NOMENCLATURE OR DESCRIPTION	MATERIAL SPECIFICATION	QTY RECD
PARTS LIST				
UNLESS OTHERWISE SPECIFIED DIMENSIONS ARE IN INCHES		CAD GENERATED DRAWING, DO NOT MANUALLY UPDATE		Randolph Austin Company
TOLERANCES ARE:		APPROVALS		
FRACTIONS DECIMALS ANGLES		DATE		Econ II, Exploded View Standard Yoke Assembly
+/- 1/64 .XX +/- .01 + 1		DRAWN		
.XXX +/- .005		CHECKED		
MATERIAL --		RESP ENG		
FINISH --		MFG ENG		SIZE A
DO NOT SCALE DRAWING		QUAL ENG		DWG. NO. 300-00C
		SCALE		CAD FILE:
				SHEET OF

THE INFORMATION CONTAINED IN THIS DRAWING IS THE SOLE PROPERTY OF THE RANDOLPH AUSTIN CO.. ANY REPRODUCTION IN PART OR WHOLE WITHOUT THE WRITTEN PERMISSION OF THE RANDOLPH AUSTIN CO. IS PROHIBITED.



UNLESS OTHERWISE SPECIFIED
 DIMENSIONAL TOLERANCES ARE:
 FRACTIONS DECIMALS ANGLES
 MILLIMETERS:
 N/A ±.1 ±.5°
 INCHES:
 ±1/64 ±.004 ±.5°

CAD GENERATED DRAWING, DO NOT MANUALLY UPDATE	
APPROVALS	DATE
DRAWN	
CHECKED	
RESP ENG	
MFG ENG	
QUAL ENG	

Randolph Austin Company
 PO 988 2119 FM 1626 MANCHACA TX.

Econ II
 300-OQC - Mounting Dim

NEXT ASSY	USED ON
APPLICATION	

DO NOT SCALE DRAWING

SIZE A	DWG. NO. 300-OQC-MD	REV.
SCALE	CAD FILE:	SHEET OF