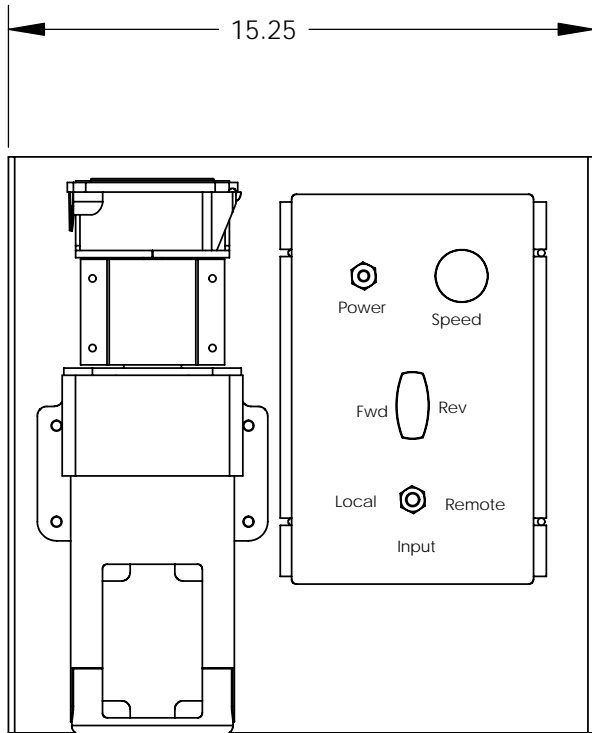
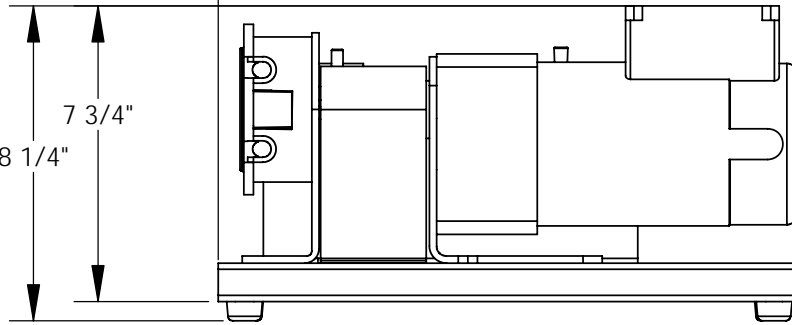
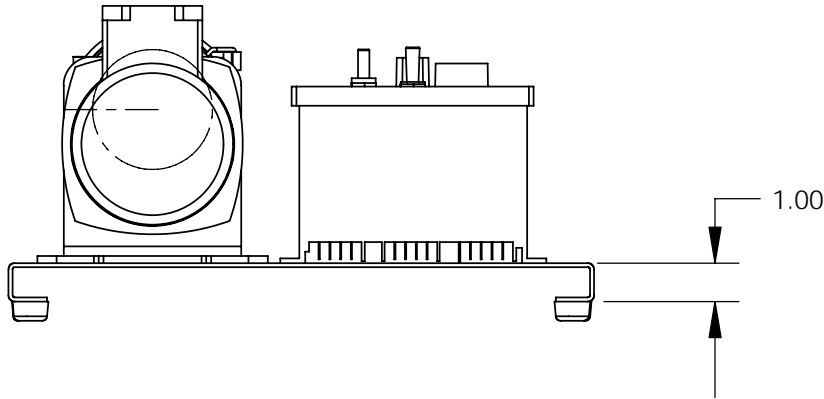
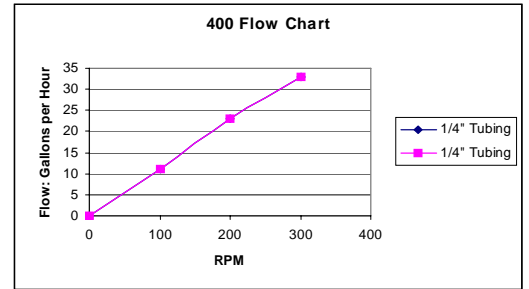


THE INFORMATION CONTAINED IN THIS DRAWING IS THE SOLE PROPERTY OF Randolph Austin Company ANY REPRODUCTION IN PART OR WHOLE WITHOUT THE WRITTEN PERMISSION OF Randolph Austin Company IS PROHIBITED.



Bill of Material

- 1) 41-0010: 400 Pump Head Only
- 2) 41-0250 (B): "L" Bracket, 400 Pump
- 3) 03-001X: 130 VDC, PM, 1/4 HP Motor, IPC-44 Enclosure
- 4) 04-0070: Speed Control, 60/50 Hz, 115/220 Vac, PWM, Forward - Rev, Local - Remote, 4-20Ma or 0-10 VDC, Nema 4 enclosure
- 5) 42-0150 (A): Base
- 6) 06-0801: Motor Bracket - 130 VDC Motors
- 7) 42-0180: Coupling Gaurd
- 8) 03-0322/03-0342: Lovejoy Couplings



Model #	RPM	Motor #
400-332	4-165	03-0013
400-352	6-250	03-0015
400-362	12-500	03-0016

ITEM NO.	PART OR IDENTIFYING NO.	NOMENCLATURE OR DESCRIPTION	MATERIAL SPECIFICATION	QTY RECD
PARTS LIST				
UNLESS OTHERWISE SPECIFIED DIMENSIONS ARE IN INCHES TOLERANCES ARE: FRACTIONS DECIMALS ANGLES		CAD GENERATED DRAWING, DO NOT MANUALLY UPDATE		Randolph Austin Comapny
		APPROVALS	DATE	Variflow Layout, 400 Series pumps
		DRAWN		
		CHECKED		
		RESP ENG		
		MFG ENG		
NEXT ASSY	USED ON	FINISH		SIZE A
APPLICATION		DO NOT SCALE DRAWING	QUAL ENG	DWG. NO. 400-3XX
				SCALE
				CAD FILE:
				SHEET OF

Note: Power Cord Not Shown for clarity