

00-0420: Qty 1  
Connector Junction

05-0170: Qty 1  
Junction Box - Crouse Hines

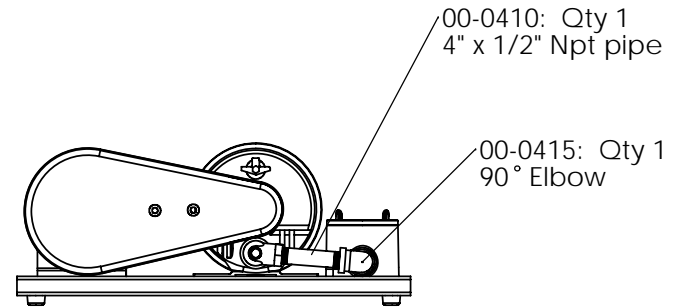
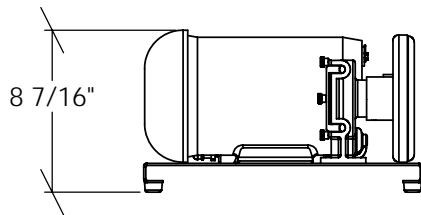
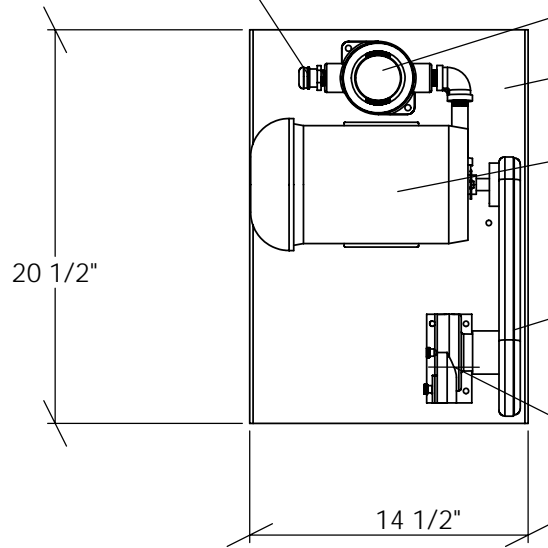
02-0385: Qty 1  
Base -

03-0205: Qty 1  
Motor Xp

52-0220: Qty 1  
Belt Guard Assy

500-PHO: Qty 1  
Pump Head

Motor Rated for:  
Class I, Group D  
115/208-230 VAC, 50/60 HZ



**PROPRIETARY AND CONFIDENTIAL**  
THE INFORMATION CONTAINED IN THIS DRAWING IS THE SOLE PROPERTY OF Randolph Austin Company. ANY REPRODUCTION IN PART OR AS A WHOLE WITHOUT THE WRITTEN PERMISSION OF Randolph Austin Company IS PROHIBITED.

		DIMENSIONS ARE IN INCHES TOLERANCES: FRACTIONAL ± 1/64 ANGULAR: MACH ± 1° TWO PLACE DECIMAL ± .010 THREE PLACE DECIMAL ± .005	NAME	DATE
		MATERIAL --	DRAWN	
		FINISH --	CHECKED	
NEXT ASSY	USED ON		ENG APPR.	
			MFG APPR.	
			Q.A.	
			COMMENTS:	
APPLICATION		DO NOT SCALE DRAWING		

Randolph Austin Company		
Fixed Speed, Belt Drive, Explosion Proof Motor 500 pump assembly		
SIZE <b>A</b>	DWG. NO. 500-200	REV.
SCALE:1:10	WEIGHT:	SHEET 1 OF 1