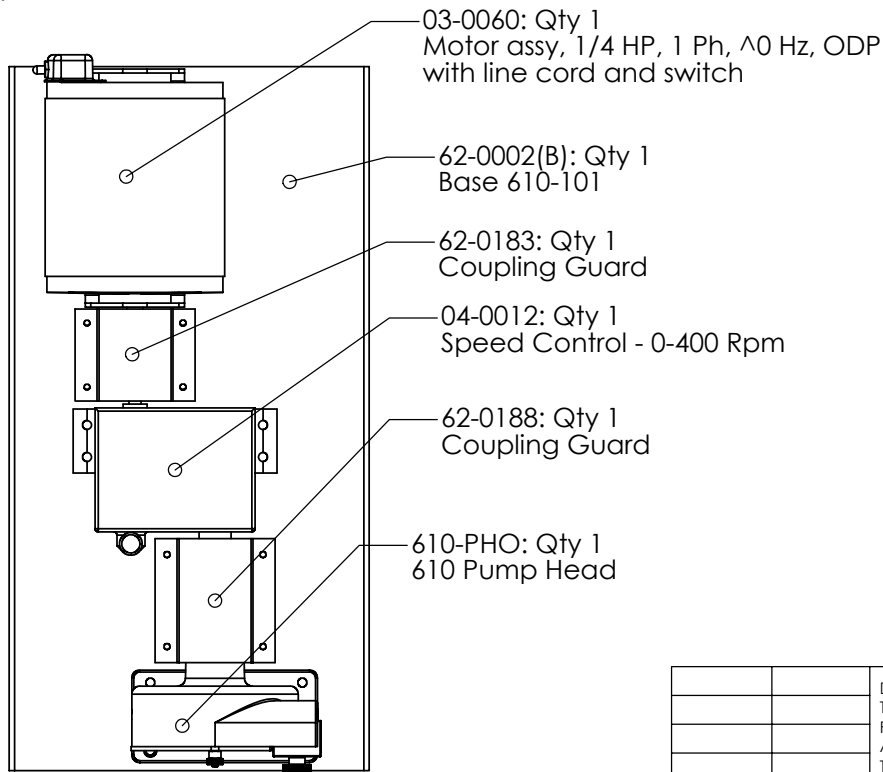
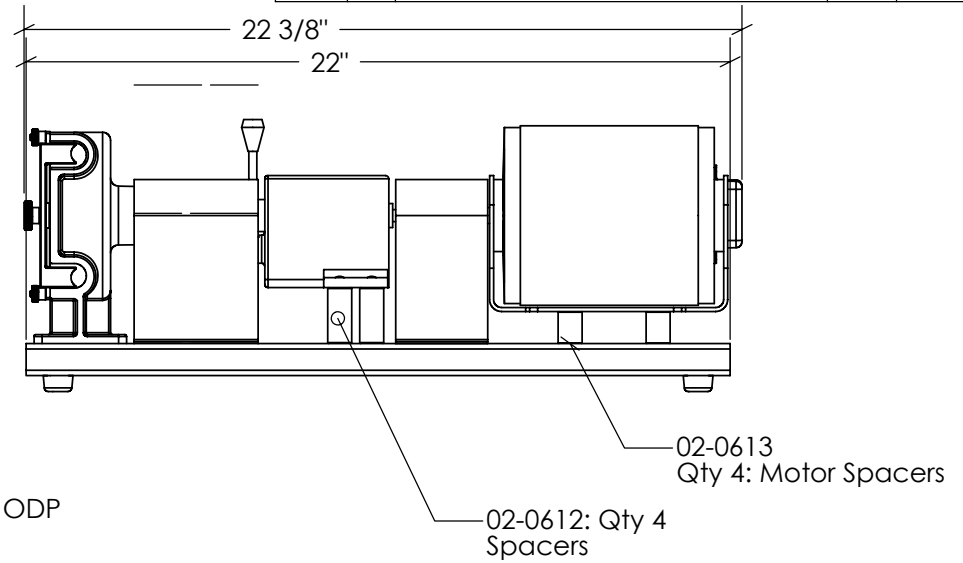
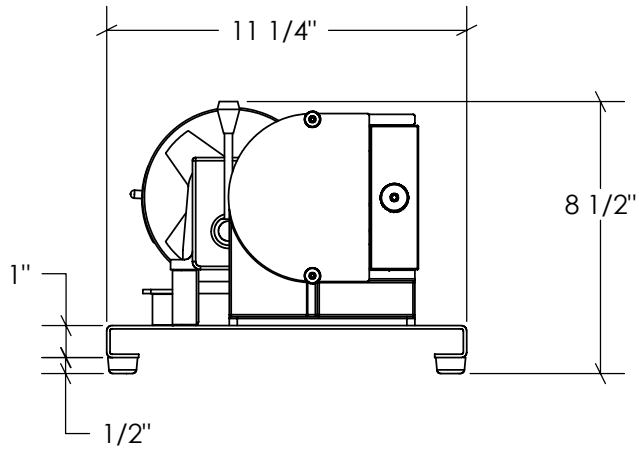


REVISIONS		DATE	APPROVED
ZONE	REV.	DESCRIPTION	



Items Not Shown:

- 1) 00-0332: Qty 2, Coupling, Pump & motor shaft
- 2) 00-0312: Qty 2, Coupling, Speed Reducer
- 3) 00-0380: Qty 2: "Spyder" for couplings

Notes:

- 1) CCW Rotation Only
- 2) Speed Range of 0-400 Rpm

PROPRIETARY AND CONFIDENTIAL
 THE INFORMATION CONTAINED IN THIS DRAWING IS THE SOLE PROPERTY OF Randolph Austin Company. ANY REPRODUCTION IN PART OR AS A WHOLE WITHOUT THE WRITTEN PERMISSION OF Randolph Austin Company IS PROHIBITED.

		DIMENSIONS ARE IN INCHES TOLERANCES: FRACTIONAL ± 1/64 ANGULAR: MACH ± 1 TWO PLACE DECIMAL ± .01 THREE PLACE DECIMAL ± .005		NAME	DATE	Randolph Austin Co 610-101 (B) Revised 9/17/03
		MATERIAL		---		
		FINISH		---		
		COMMENTS:				
		NEXT ASSY USED ON				
APPLICATION		DO NOT SCALE DRAWING		SIZE	DWG. NO.	REV.
				A	610-101	B
				SCALE:1:1	WEIGHT:	SHEET 1 OF 1