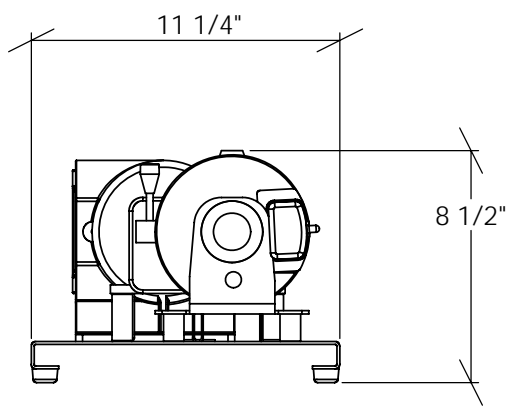
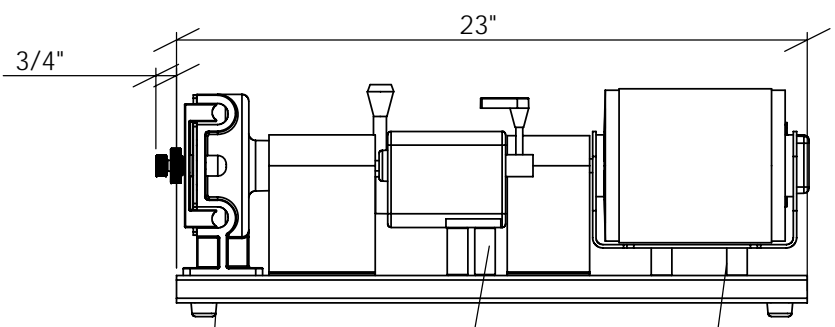


P/N 04-0015 JK3, Qty 1



P/N 02-0101 Rubber Foot, Qty 4
 P/N 02-0612 Spacer, Qty 4
 P/N 02-0613 Spacer, Qty 4

PROPRIETARY AND CONFIDENTIAL
 THE INFORMATION CONTAINED IN THIS DRAWING IS THE SOLE PROPERTY OF Randolph Austin Company. ANY REPRODUCTION IN PART OR AS A WHOLE WITHOUT THE WRITTEN PERMISSION OF Randolph Austin Company IS PROHIBITED.

		DIMENSIONS ARE IN INCHES TOLERANCES: FRACTIONAL ± 1/64 ANGULAR: MACH ± 1° TWO PLACE DECIMAL ± .010 THREE PLACE DECIMAL ± .005	NAME	DATE
		MATERIAL		
		FINISH		
NEXT ASSY	USED ON		COMMENTS:	
APPLICATION		DO NOT SCALE DRAWING		

Randolph Austin Company			
610-103, Layout drawing			
SIZE	DWG. NO.	REV.	
A	610-103		
SCALE:1:10	WEIGHT:	SHEET 1 OF 1	