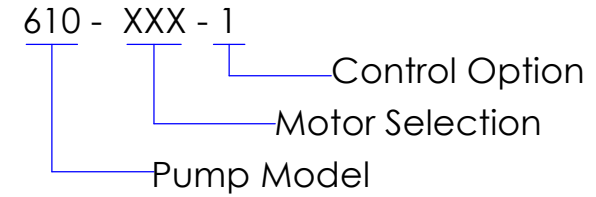


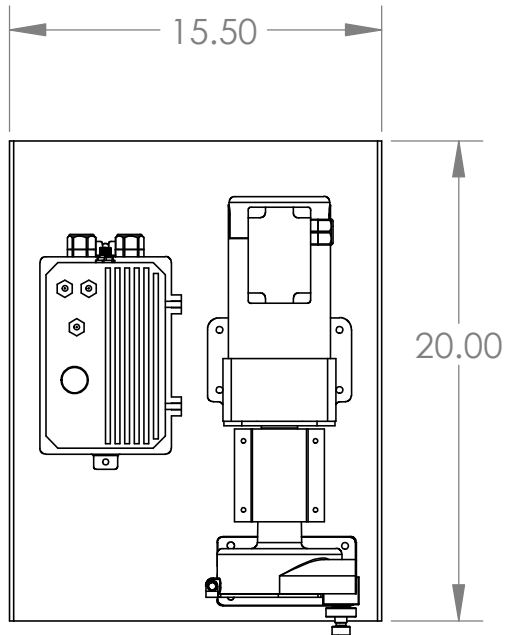
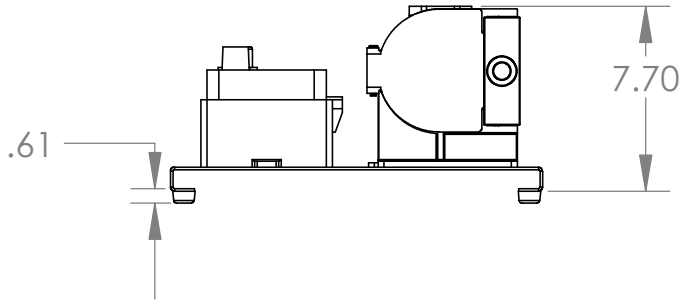
THE INFORMATION CONTAINED IN THIS DRAWING IS THE SOLE PROPERTY OF Randolph Austin Company. ANY REPRODUCTION IN PART OR WHOLE WITHOUT THE WRITTEN PERMISSION OF Randolph Austin Company IS PROHIBITED.

Pump Model Nomenclature



Pump Model	Motor Spec
610-342	4 - 165 RPM
610-352	6 - 250 RPM
610-362	12 - 500 RPM
610-332	3 - 125 Rpm

Control Option	Description
-1	Nema 4 Enclosure, On/OFF, Single Direction, Manual Speed Regulation
-2	Nema 4 Enclosure, FWD/REV Switch, On/Off, Manual Speed Control
-3	Nema 4 Enclosure, FWD/REV Switch, On/OFF, Local/Remote selector, Manual Speed Pot, 4-20 mA Input Signal



Rev	Description	By	Date
-	-	-	-
-	-	-	-

APPLICATION	NEXT ASSY	USED ON

ITEM NO.	PART OR IDENTIFYING NO.	NOMENCLATURE OR DESCRIPTION	MATERIAL SPECIFICATION	QTY REQD
PARTS LIST				
UNLESS OTHERWISE SPECIFIED DIMENSIONS ARE IN INCHES TOLERANCES ARE: FRACTIONS DECIMALS ANGLES +/- 1/64 .XX +/- .01 + 1 .XXX +/- .005		CAD GENERATED DRAWING, DO NOT MANUALLY UPDATE	Randolph Austin Company	
MATERIAL --		APPROVALS	DATE	610 Variflow - General Layout
FINISH --		DRAWN		
DO NOT SCALE DRAWING		CHECKED		
		RESP ENG		
		MFG ENG		
		QUAL ENG		
SIZE A	DWG. NO.	610-3XX-X		REV.
SCALE	CAD FILE:	SHEET	OF	