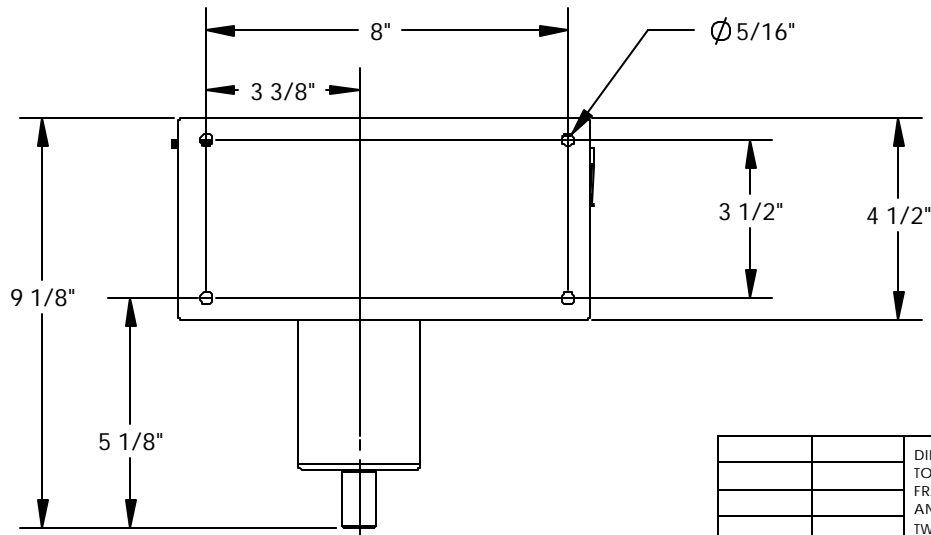
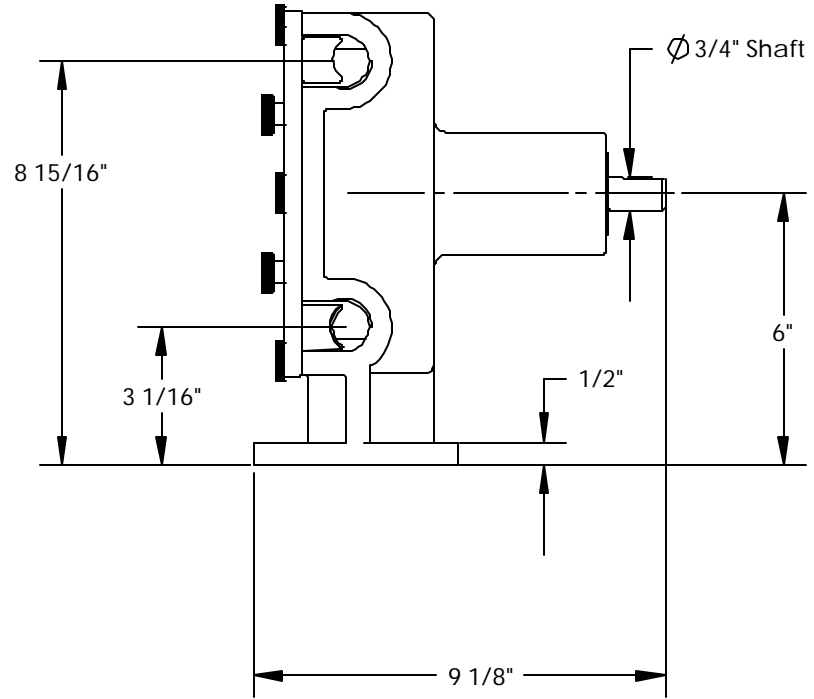
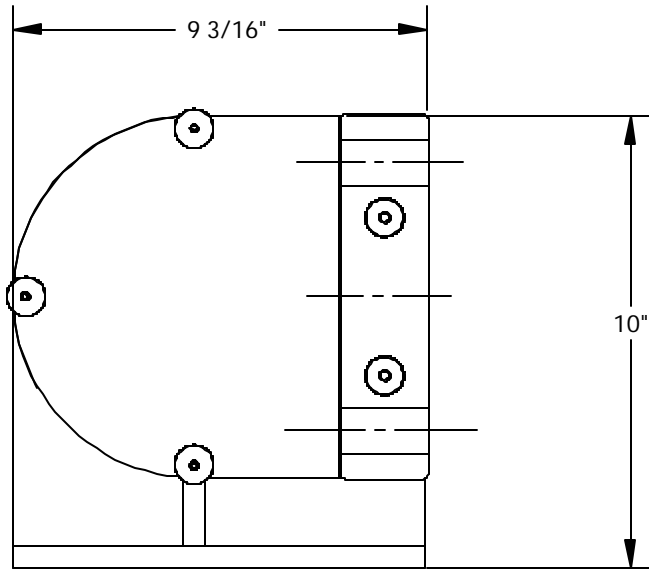


REVISIONS		DATE	APPROVED
ZONE	REV.	DESCRIPTION	



**PROPRIETARY AND CONFIDENTIAL**  
 THE INFORMATION CONTAINED IN THIS DRAWING IS THE SOLE PROPERTY OF <INSERT COMPANY NAME HERE>. ANY REPRODUCTION IN PART OR AS A WHOLE WITHOUT THE WRITTEN PERMISSION OF <INSERT COMPANY NAME HERE> IS PROHIBITED.

DIMENSIONS ARE IN INCHES	
TOLERANCES:	
FRACTIONAL ± 1/32	
ANGULAR: MACH ± 1.5	
TWO PLACE DECIMAL ± .010	
THREE PLACE DECIMAL ± .005	
MATERIAL --	
NEXT ASSY	USED ON
FINISH --	
APPLICATION DO NOT SCALE DRAWING	

	NAME	DATE
DRAWN		
CHECKED		
ENG APPR.		
MFG APPR.		
Q.A.		
COMMENTS:		

**Randolph Austin Co.**

**750-PHO Mounting Dimensions**

SIZE <b>A</b>	DWG. NO. <b>750-PHO-MD</b>	REV.
SCALE: 1:4	WEIGHT:	SHEET 1 OF 1