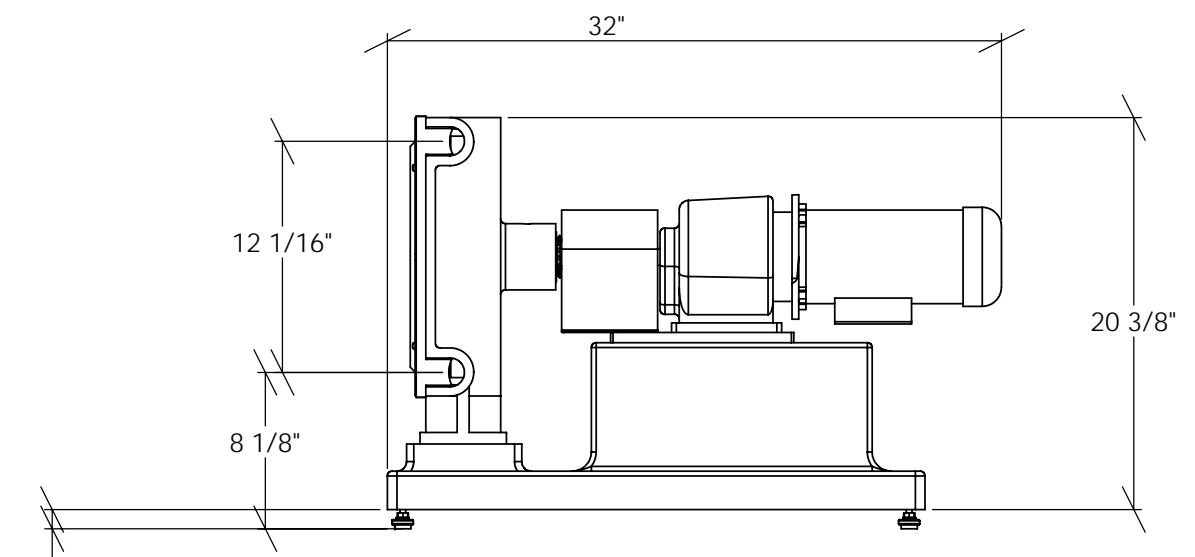
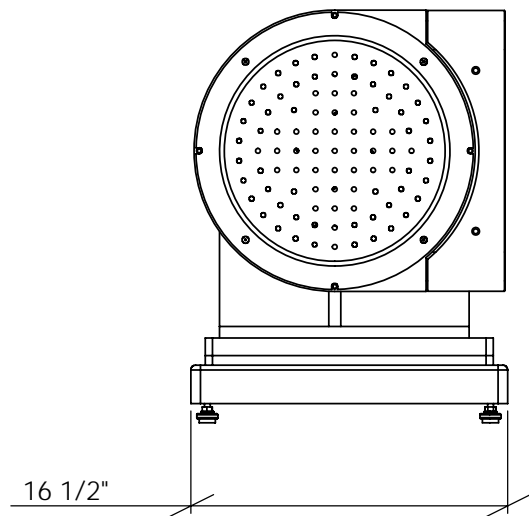


Estimated Shipping Weight = 225 lbs



Model No	Reducer P/N	RPM
880-110	03-0311	100
880-120	03-0309	125

PROPRIETARY AND CONFIDENTIAL
 THE INFORMATION CONTAINED IN THIS DRAWING IS THE SOLE PROPERTY OF Randolph Austin Company. ANY REPRODUCTION IN PART OR AS A WHOLE WITHOUT THE WRITTEN PERMISSION OF Randolph Austin Company IS PROHIBITED.

		DIMENSIONS ARE IN INCHES TOLERANCES: FRACTIONAL ± 1/64 ANGULAR: MACH ± 1° TWO PLACE DECIMAL ± .010 THREE PLACE DECIMAL ± .005		NAME	DATE	Randolph Austin Company 880 Pump Head, Fixed Speed Assemblies	
		MATERIAL		DRAWN			
		FINISH		CHECKED			
		NEXT ASSY USED ON		ENG APPR.			
		APPLICATION		MFG APPR.			
		DO NOT SCALE DRAWING		Q.A.		SIZE A	
				COMMENTS:			DWG. NO. 880-1X0
							REV.
						SCALE:1:10	
						WEIGHT:	
						SHEET 1 OF 1	