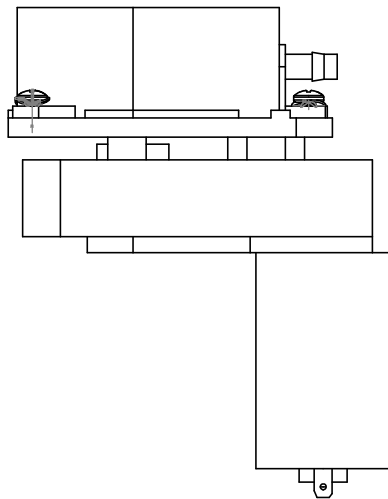
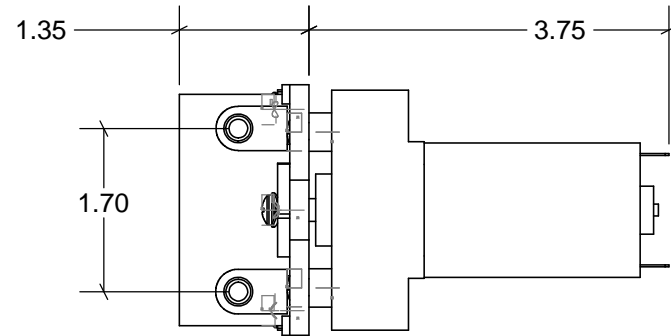
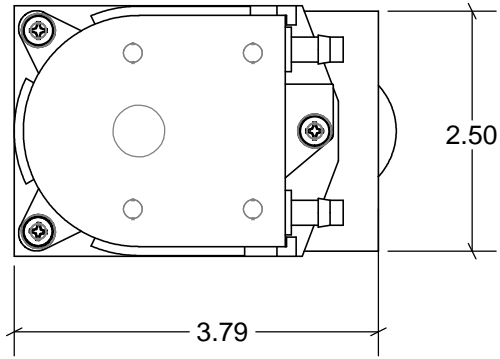


THE INFORMATION CONTAINED IN THIS DRAWING IS THE SOLE PROPERTY OF THE RANDOLPH AUSTIN CO.. ANY REPRODUCTION IN PART OR WHOLE WITHOUT THE WRITTEN PERMISSION OF THE RANDOLPH AUSTIN CO. IS PROHIBITED.



RPM -->	82	125	175	240
3.2 mm (.125")	86	137	191	267
4.8 mm (.188")	194	307	430	600

Flow in ml/minute for water after 20 minutes of running time with no head pressure

UNLESS OTHERWISE SPECIFIED
 DIMENSIONAL TOLERANCES ARE:
 FRACTIONS DECIMALS ANGLES
 MILLIMETERS:
 N/A ±.1 ±1.0°
 INCHES:
 ±1/64 ±.005 ±1.0°

CAD GENERATED DRAWING.
 DO NOT MANUALLY UPDATE

Randolph Austin Company
 PO 988 2119 FM 1626 MANCHACA TX.

TP 3005 - 12 or 24 VDC Pump

NEXT ASSY	USED ON
APPLICATION	

MATERIAL
 FINISH
 DO NOT SCALE DRAWING

APPROVALS	DATE
DRAWN	
CHECKED	
RESP ENG	
MFG ENG	
QUAL ENG	

SIZE A	DWG. NO. TP 3005 Assembly	REV.
SCALE	CAD FILE:	SHEET OF

8 7 6 5 4 3 2 1

D

D

C

C

B

B

A

A

8 7 6 5 4 3 2 1