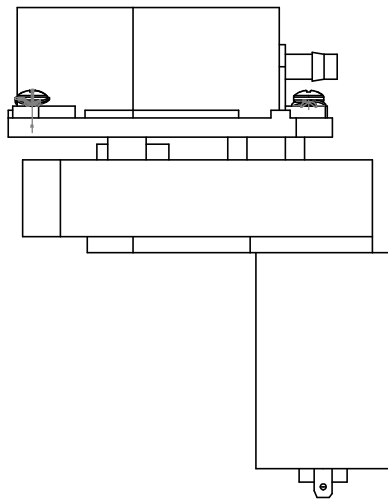
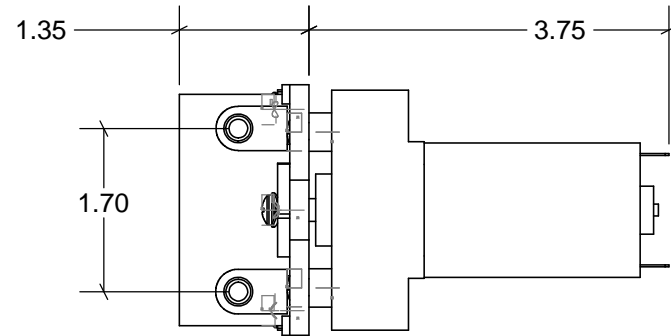
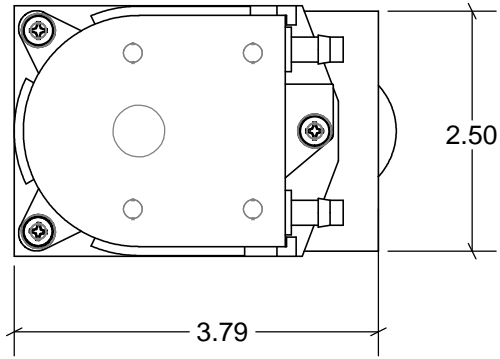


THE INFORMATION CONTAINED IN THIS DRAWING IS THE SOLE PROPERTY OF THE RANDOLPH AUSTIN CO.. ANY REPRODUCTION IN PART OR WHOLE WITHOUT THE WRITTEN PERMISSION OF THE RANDOLPH AUSTIN CO. IS PROHIBITED.



RPM -->	82	125	175	240
3.2 mm (.125")	86	137	191	267
4.8 mm (.188")	194	307	430	600

Flow in ml/minute for water after 20 minutes of running time with no head pressure

UNLESS OTHERWISE SPECIFIED DIMENSIONAL TOLERANCES ARE: FRACTIONS DECIMALS ANGLES MILLIMETERS: N/A ±.1 ±1.0° INCHES: ±1/64 ±.005 ±1.0°		CAD GENERATED DRAWING. DO NOT MANUALLY UPDATE		Randolph Austin Company PO 988 2119 FM 1626 MANCHACA TX. TP 3005 - 12 or 24 VDC Pump	
		APPROVALS	DATE		
NEXT ASSY	USED ON	DRAWN		MFG ENG	REV.
		CHECKED			
		RESP ENG			
APPLICATION		DO NOT SCALE DRAWING		QUAL ENG	
SIZE A	DWG. NO. TP 3005 Assembly	SCALE	CAD FILE:	SHEET	OF