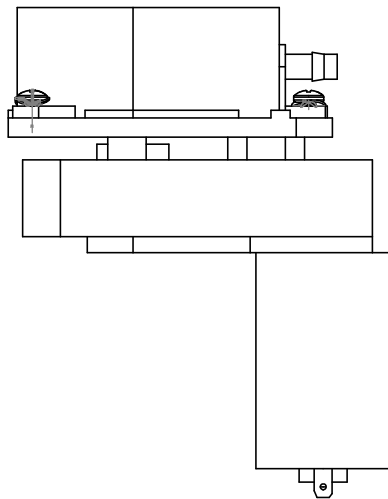
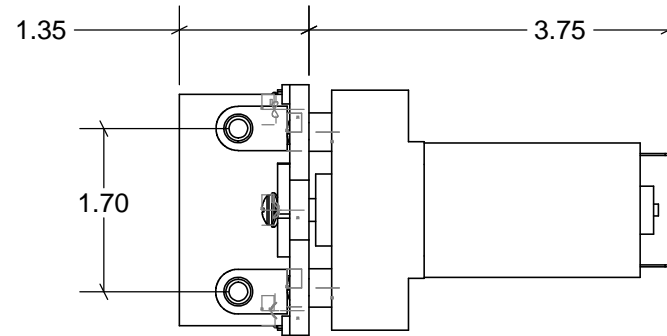
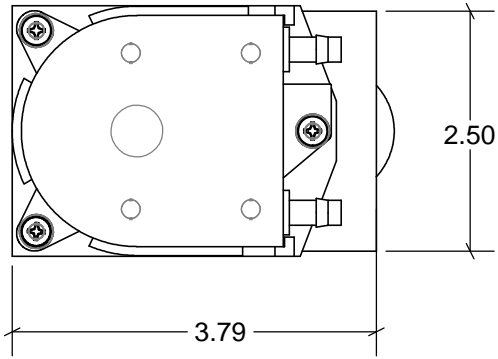


THE INFORMATION CONTAINED IN THIS DRAWING IS THE SOLE PROPERTY OF THE RANDOLPH AUSTIN CO.. ANY REPRODUCTION IN PART OR WHOLE WITHOUT THE WRITTEN PERMISSION OF THE RANDOLPH AUSTIN CO. IS PROHIBITED.



| RPM -->        | 82  | 125 | 175 | 240 |
|----------------|-----|-----|-----|-----|
| 3.2 mm (.125") | 86  | 137 | 191 | 267 |
| 4.8 mm (.188") | 194 | 307 | 430 | 600 |

Flow in ml/minute for water after 20 minutes of running time with no head pressure

|   |         |  |      |  |           |
|---|---------|--|------|--|-----------|
| UNLESS OTHERWISE SPECIFIED<br>DIMENSIONAL TOLERANCES ARE:<br>FRACTIONS DECIMALS ANGLES<br>MILLIMETERS:<br>N/A ±.1 ±1.0°<br>INCHES:<br>±1/64 ±.005 ±1.0° |         | CAD GENERATED DRAWING.<br>DO NOT MANUALLY UPDATE |      | <b>Randolph Austin Company</b><br>PO 988 2119 FM 1626 MANCHACA TX. |           |
|   |         | APPROVALS  | DATE |  |           |
| NEXT ASSY   | USED ON | DRAWN  |      | <b>TP 3005 - 12 or 24 VDC Pump</b>                                 |           |
|   |         | CHECKED  |      |  |           |
|   |         | RESP ENG   |      |  |           |
| FINISH  |         | MFG ENG  |      | SIZE   | DWG. NO.  |
| APPLICATION   |         | DO NOT SCALE DRAWING                             |      | <b>TP 3005 Assembly</b>  |           |
|   |         | QUAL ENG   |      | SCALE  | CAD FILE: |
|   |         |  |      | SHEET  | OF        |